

Rennicks Off-Grid Power Solution



Call 01928 579 966
www.rennicksuk.com

R
Rennicks
Clearly Better

Rennicks Off-Grid Power Solution

The Rennicks Off-Grid Power Solution is a hybrid wind and solar powered unit with built-in rechargeable energy source - **the complete renewable package.**

Urban environments and remote locations can now enjoy a permanent renewable power solution completely free from an external power source.

The off-grid multi-purpose smart column (OGPS1 and OGPS2) utilises award-winning technology and is the natural choice for providing an independent power platform where grid connection is unavailable or not economically viable.

Key Features:

- Remote performance monitoring and controlling via 2G/3G/4G connection.
- Smart energy management.
- Aesthetic and appealing design.
- Easy installation within 4 hours - no heavy lifting equipment required.
- Advertising banner and brackets.
- Facility to add own branding on tower and fin. Optional RAL colours for branding.

Key Benefits:

- Off grid power solution - up to 80W continuous power 24/7. UL/CE certified.
- Provides secure reliable remote power.
- Substantial immediate savings by avoiding trenching and cabling.
- Eyecatching statement of your green credentials.
- Power solution for many applications including:
 - Surveillance
 - Communications
 - Lighting
 - Traffic Management
 - Environmental Monitoring
 - Public Safety



The Rennicks Off-Grid Power Solution also utilises an award winning ‘enhancement unit’. The patented Duct Augmented Wind Turbine (DAWT) increases the velocity of the wind flowing past the blades to generate more power compared to a standard turbine.

OGPS 1

WIND ENERGY (PERMANENT MAGNET GENERATOR)	
Rated Power Output	400W
Max. Power Output	490W
Cut-in/Rated/Max Windspeed	2/10.5/15 m/s
Rated/Maximum RPM	560/620

SOLAR POWER	
Number of Panels	2
Rated	520 Wp Total (STC)
Cell Type/Panel Efficiency	Multicrystalline/15.8% (STC)
Glass	Solar Glass with Anti-reflection

ENERGY STORAGE	
Batteries	2 no. 260 Ah lead-acid (AGM)
Storage Capacity	6240 Wh
Battery Endurance	Up to 3 days @ 40W continuous
Location	Inside tower base

CONTROLLER SYSTEM	
Controller	SUSIE IV Rennicks Hybrid Charge Controller
Output Voltage to battery	24V
Performance Monitoring	Via text alerts
Location	Inside tower

REMOTE COMMUNICATIONS	
Router	Geneko GWG-40 Gateway
Wireless	2G/3G/4G/ LTE
Security	IPsec, SSL, and VPN Client
Location	Inside tower

TOWER	
Material	Steel Q345
Finish	Galvanised or Powder Coated
Installation Method	Hydraulic Rams or mechanically assisted
Maximum Height	9.096m from ground level

OGPS 2

WIND ENERGY (PERMANENT MAGNET GENERATOR)	
Rated Power Output	400W
Max. Power Output	490W
Cut-in/Rated/Max Windspeed	2/10.5/15 m/s
Rated/Maximum RPM	560/620

SOLAR POWER	
Number of Panels	2
Rated	870 Wp Total (STC)
Cell Type/Panel Efficiency	SunPower Maxeon/20.1% (STC)
Glass	High Transmission Tempered Glass with Anti-reflection

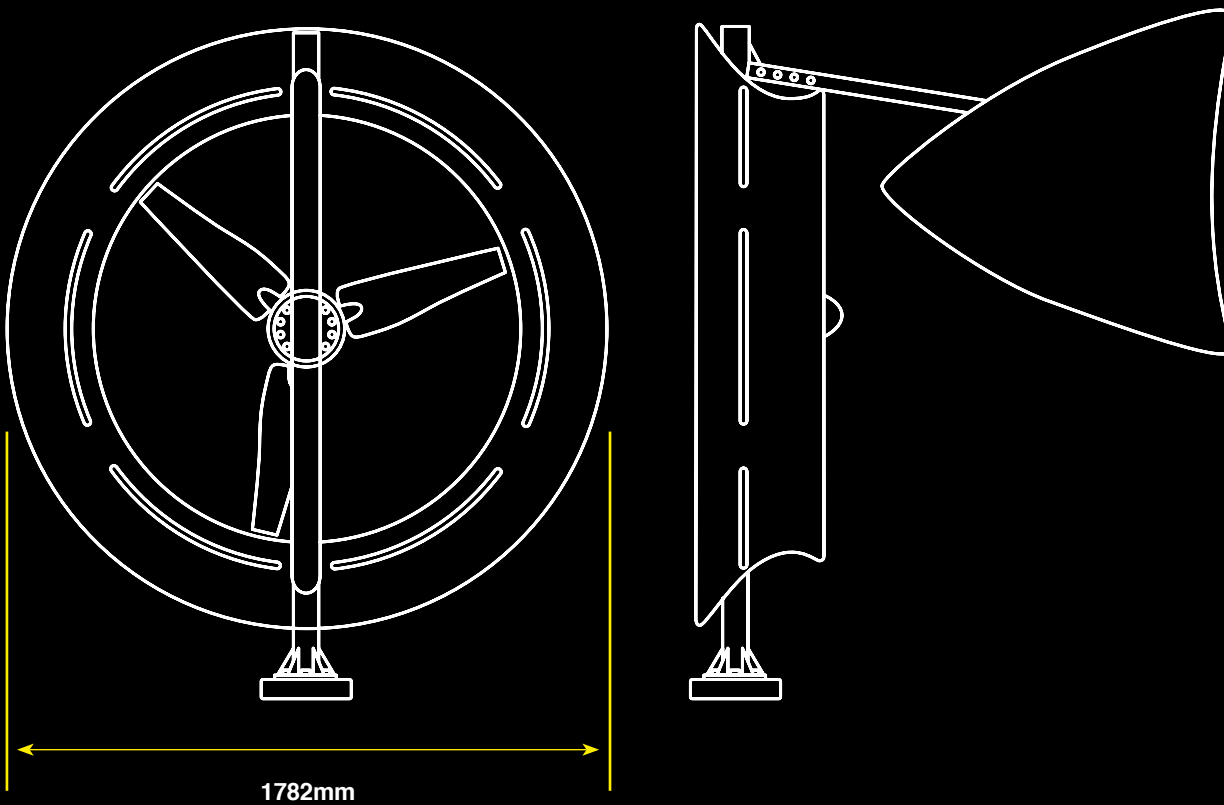
ENERGY STORAGE	
Batteries	2 no. 300 Ah Li-ion (LiFePO4)
Storage Capacity	7680 Wh
Battery Endurance	Up to 3 days @ 80W continuous
Location	Inside tower base

CONTROLLER SYSTEM	
Controller	SUSIE IV Rennicks Hybrid Charge Controller
Output Voltage to battery	24V
Performance Monitoring	Via text alerts
Location	Inside tower

REMOTE COMMUNICATIONS	
Router	Geneko GWG-40 Gateway
Wireless	2G/3G/4G/ LTE
Security	IPsec, SSL, and VPN Client
Location	Inside tower

TOWER	
Material	Steel Q345
Finish	Galvanised or Powder Coated
Installation Method	Hydraulic Rams or mechanically assisted
Maximum Height	9.096m from ground level

Dimensions



Contact us to discuss your off-grid energy source requirements.



Rennicks
Clearly Better

01928 579 966
sales@rennicksuk.com

Rennicks (UK) Ltd
Stuart Road | Manor Park | Runcorn | Cheshire | WA7 1TS

www.rennicksuk.com