

Advantage 42100

DATA SHEET



KEEPING YOUR
COMMUNITY
SAFE



I CAN DISPLAY
1-5 LINES
OF UP TO 20
CHARACTERS
@ 200mm HIGH FONT

COMPLIES
TO TAL 01/15
& EN12966

SOLUTIONS FOR MAJOR HIGHWAYS

Ideal for major roads up to 70mph; each sign comes preprogrammed with up to 200 Highways Agency approved messages and pictograms, in addition to the facility allowing you to create unique messages.

With a full matrix LED configuration, capable of displaying the highest legibility in messages and graphics **42 pixels high and 100 pixels wide**, this versatile sign is essential for high speed traffic management situations such as road works, congestion & speed control, major events and accident management.

With remote message programming available as standard on all Rennicks signs, changing the messages from the comfort and safety of your office, PC or smart phone couldn't be easier.

APPLICATIONS INCLUDE

- High Speed Road Traffic Management
- Advance notice of lane closures & works
- Transport hub messaging
- Crowd control at major events
- Directional guidance
- Warning notices

Secure username and passwords protect the sign against unauthorised use and the remote monitoring system constantly checks LED pixel integrity, auto-brightness adjustment and battery voltage levels.

The 42100 can display **1 to 5 lines of up to 20 characters**; not only offering fantastic clarity, but also reduces the need to scroll long messages.

Choose from standard 200mm high fonts or larger fonts as well as pictograms and arrows for maximum impact. The 42100 offers flexibility in message design along with fully compliant signs - a must for busy commuters today.

FEATURES & BENEFITS

- UK Roads EN12966-1 2005 LED compliant
- HE approved fonts & characters up to 400mm
- Remote operated flashing beacons
- Ultra bright traffic angle LEDs
- Optional GPS tracking
- Vertical & 360° rotational movement
- Displays 1 to 5 lines of up to 20 characters

Call 01928 579 966

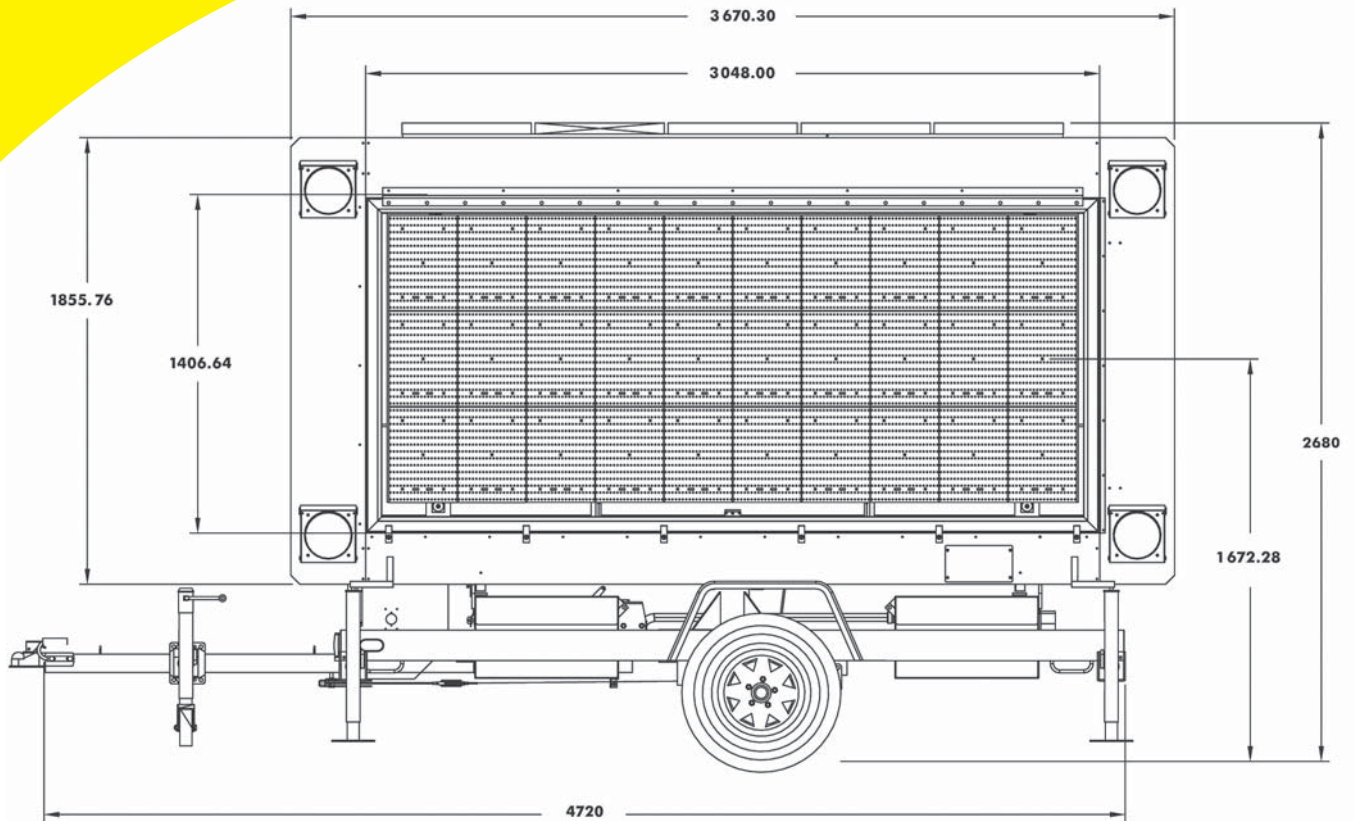
www.rennicksuk.com



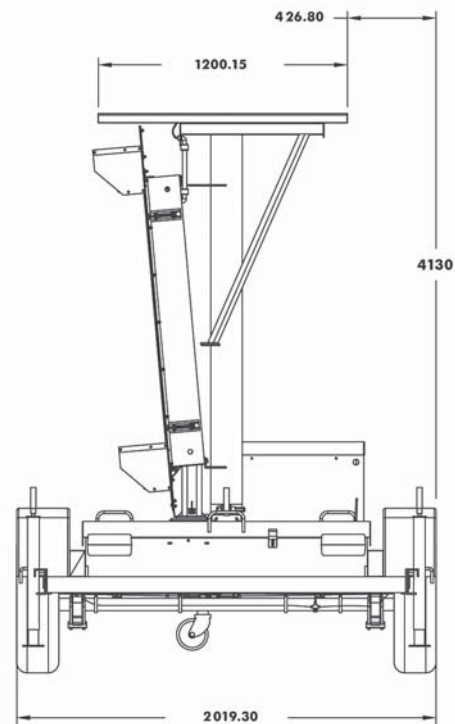
Rennicks
Clearly Better

Advantage 42100

DATA SHEET



Note: UNITS ARE IN MM



PRODUCT SPECIFICATION

Operating Height	4130mm Maximum
Travel Height	1855.91mm
Length	4490.46mm
Width	2019.30mm
Character Heights	200, 240, 320 or 400mm
Weight	1800kg

For help with all your future projects contact: sales@rennicksuk.com

Call 01928 579 966 www.rennicksuk.com

Rennicks (UK) Ltd Stuart Road | Manor Park | Runcorn | Cheshire | WA7 1TS



Rennicks
Clearly Better