



**40% MORE
PIXELS**

TRI-COLOUR TRAFFIC & SPEED MESSAGES

Colour pictograms have already changed the landscape of Britain's highway network, providing an effective tool to alleviate traffic problems and improve safety.

But the development of variable message signs capable of displaying roadside icons in much improved quality is pushing the boundaries of intelligent traffic solutions.

ADVANTAGE HDC

Providing higher quality red, amber and white graphics. The Advantage HDC Tri-Colour mVMS is available in two sizes, both having a very compact footprint. High resolution screens and remote operation allow real time traffic information and very accurate Highway Code messages.

APPLICATIONS INCLUDE

- Traffic and Speed Management
- Advance notice of works and events
- Local authority public messages
- Emergency Services alerts
- Rail and Air Transport messages
- Ideal for high speed or urban roads
- Brand & Advertising

FEATURES & BENEFITS

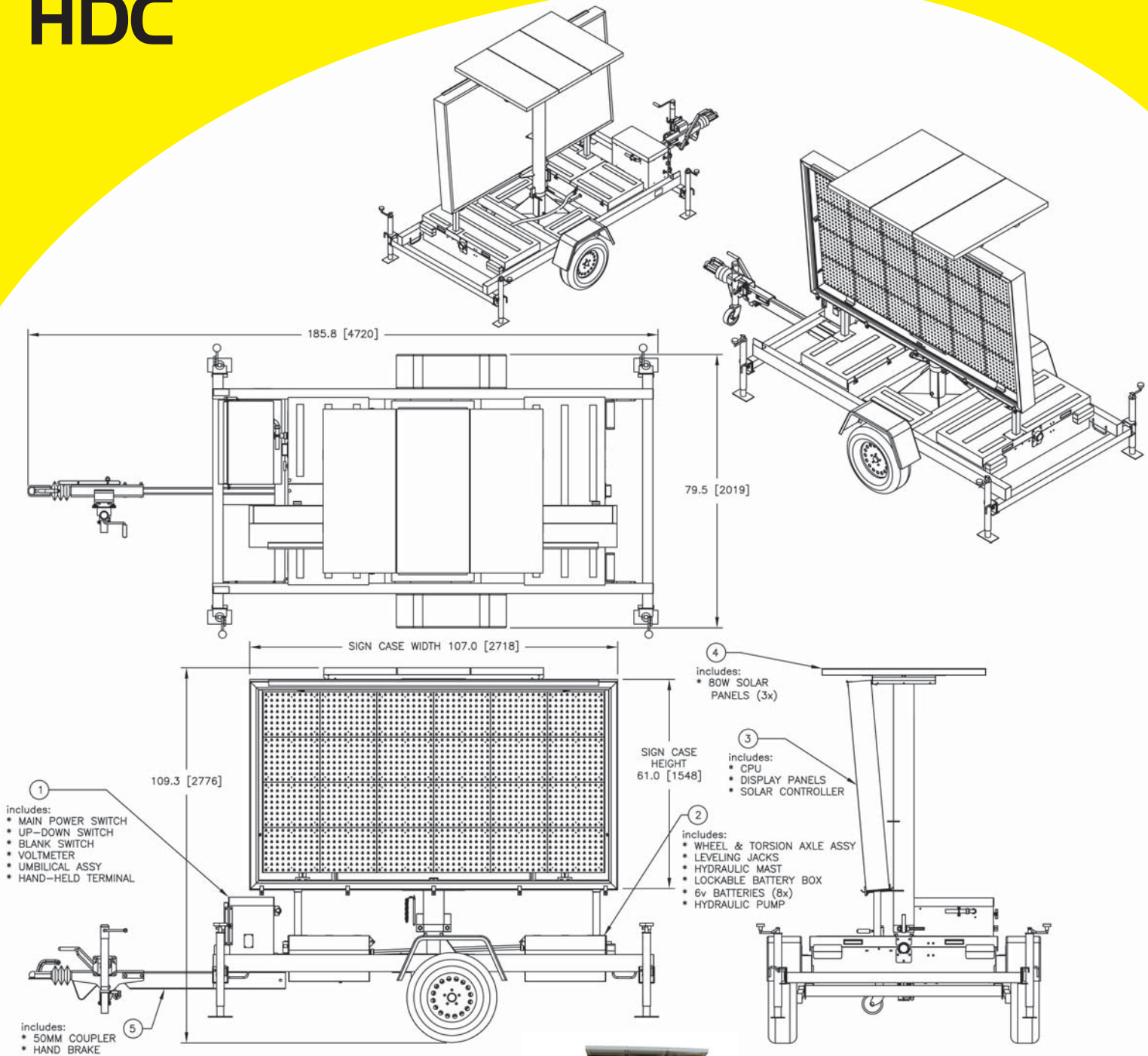
- Market leading Tri-colour LED display
- More information on one screen
- Clear, accurate TRSGD messages & pictograms
- Integration and interface with other innovative ITS products providing real time data and information
- Fully complies to current standards
- TAL 01/15 and EN 12966

Call 01928 579 966

www.rennicksuk.com



Rennicks
Clearly Better



PRODUCT SPECIFICATION

Operating Height	3490mm Maximum
Travel Height	2776mm (+/- 12mm)
Length	4720mm
Width	2019mm
Weight	1700kg

For help with all your future projects contact: sales@rennicksuk.com

Call 01928 579 966 www.rennicksuk.com

Rennicks (UK) Ltd Stuart Road | Manor Park | Runcorn | Cheshire | WA7 1TS



Rennicks
Clearly Better